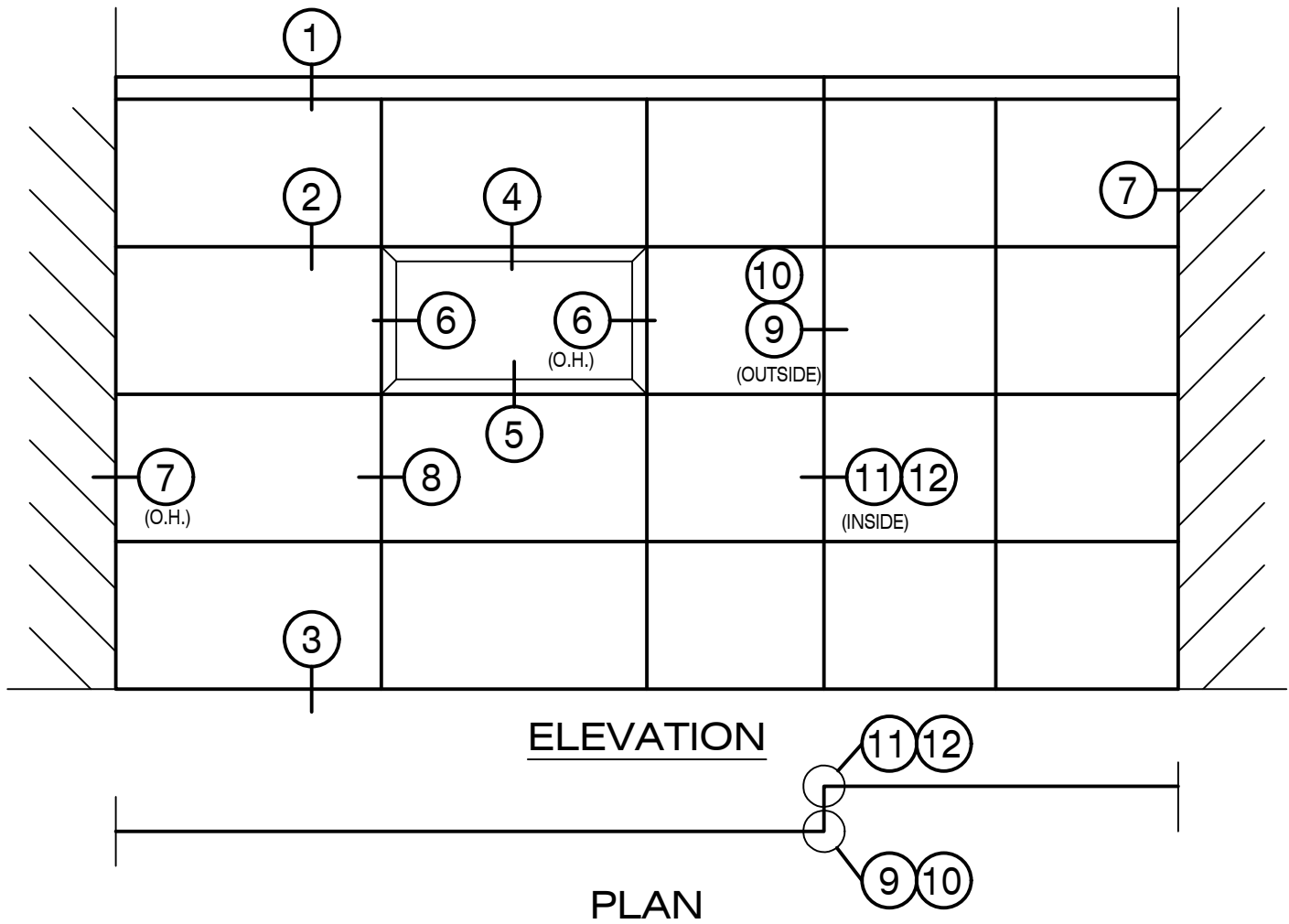
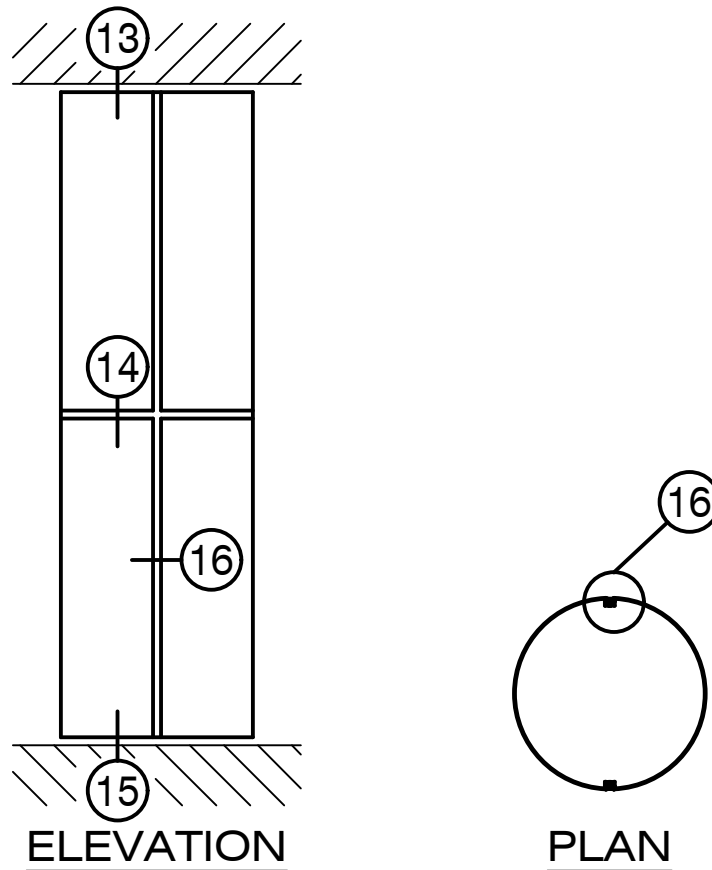


1. Most details included herein are drawn to full scale.
2. Details shown herein, illustrate 1 1/2" composite panels. Other thicknesses are available. Refer to other sections of this literature for additional options or consult Protean for any special requirements.
3. In general, panel attachment should be made along the long edge of the panels.
4. Details as shown herein illustrate a horizontal installation with subgirts and panel attachment located at the horizontal joints. For a vertical panel installation, modify details to install panels vertically.
5. Alternate subgirt layouts are available where subgirts can be oriented in the opposite direction of the long edge of the panels. Contact Protean for further information on these types of installations.
6. The enclosed details represent typical standard details for the ACM-100 system. In so much as the ACM-100 is a custom designed system, this is only the beginning of the possibilities. Consult Protean for assistance in developing custom details for your application.



### INDEX

SHEET #	DESCRIPTION	SHEET #	DESCRIPTION
ACM-100 / 1	PARAPET CAP	ACM-100 / 9	OUTSIDE CORNER
ACM-100 / 2	HORIZONTAL JOINT	ACM-100 / 10	OUTSIDE CORNER (BENT)
ACM-100 / 3	BASE DETAIL	ACM-100 / 11	INSIDE CORNER
ACM-100 / 4	WINDOW HEAD	ACM-100 / 12	INSIDE CORNER
ACM-100 / 5	WINDOW SILL		
ACM-100 / 6	WINDOW JAMB		
ACM-100 / 7	JAMB DETAIL		
ACM-100 / 8	VERTICAL JOINT		



### INDEX

<u>SHEET #</u>	<u>DESCRIPTION</u>	<u>SHEET #</u>	<u>DESCRIPTION</u>
ACM-100 / 13	RADIUS HEAD		
ACM-100 / 14	RADIUS HORIZONTAL JOINT		
ACM-100 / 15	RADIUS BASE		
ACM-100 / 16	RADIUS VERTICAL JOINT		

