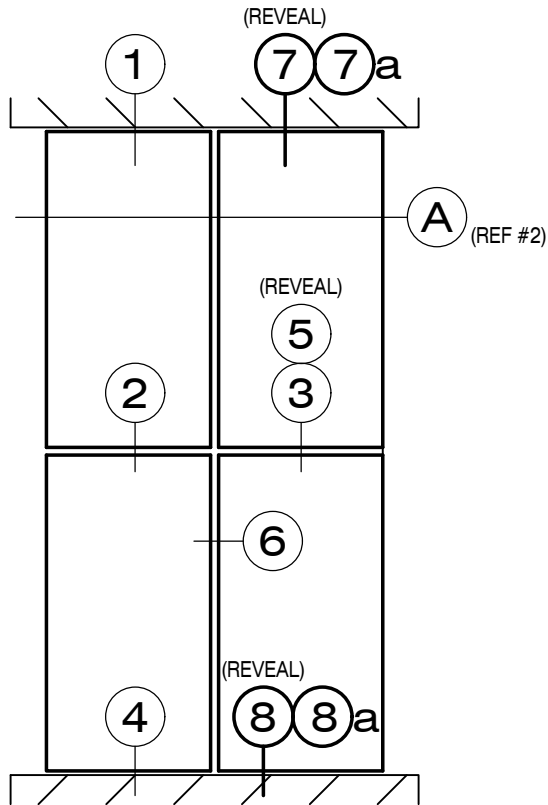


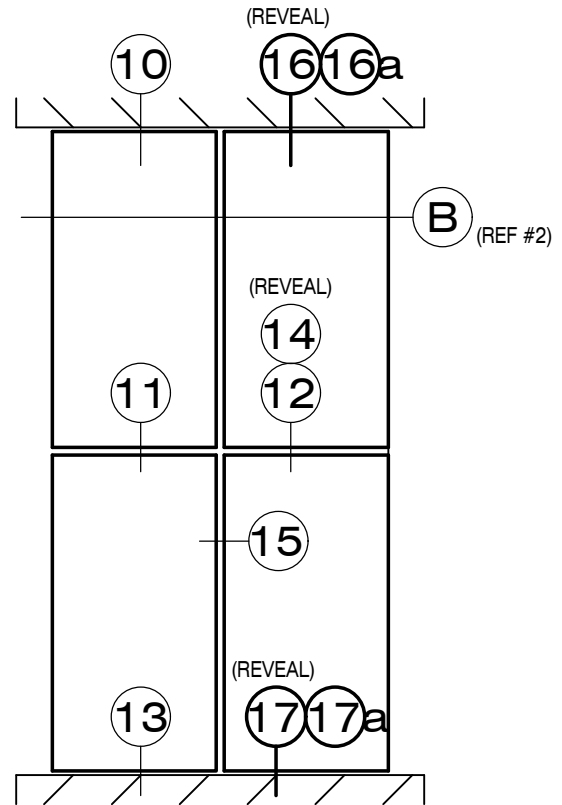
1. Most details included herein are drawn to full scale.
2. Details shown herein, illustrate 2" deep system of 1/8" aluminum plate column covers. Other system depths and plate thickness are available. Refer to other sections of this literature for additional options or consult Protean for any special requirements.
3. In general, panel attachment should be made along the long edge of the panels.
4. Details as shown herein illustrate a vertical installation with subgirts running vertically and panel attachment located at the vertical joints.
5. The enclosed details represent typical standard details for the aluminum plate column covers. This is only the beginning of the possibilities. Consult Protean for assistance in developing custom details for your application.
6. For .125" aluminum, minimum radius of 4" and maximum length of 15'-0". For all other material, consult Protean Construction Products for further information.

Construction Products, Inc.

### REFERENCE SHEET



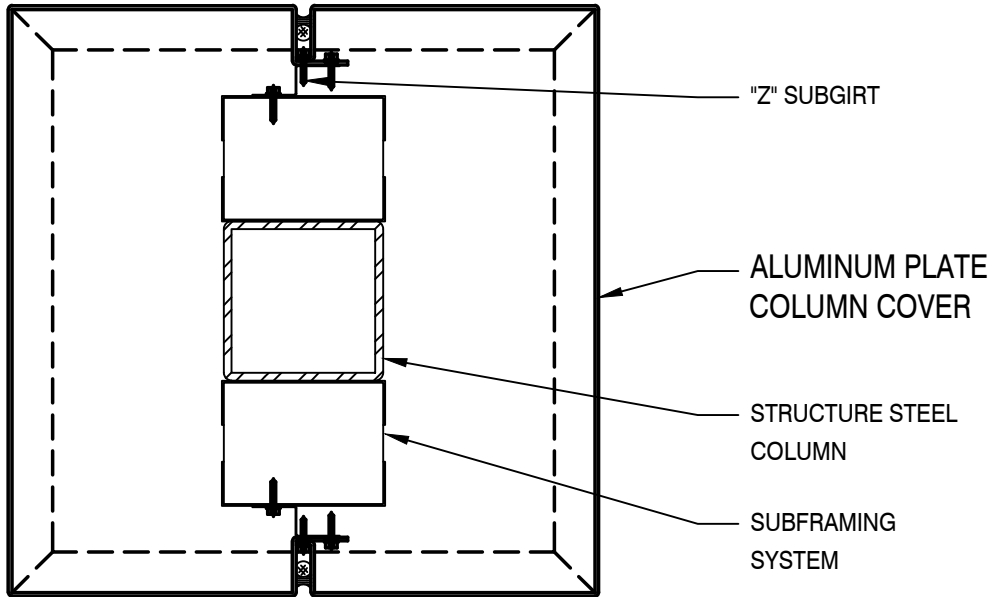
SQUARE



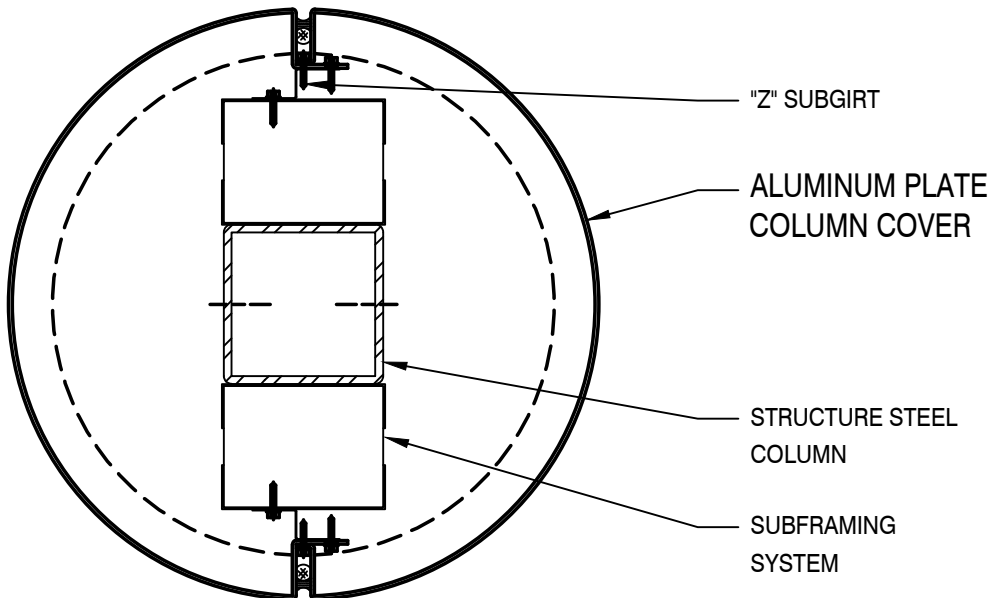
RADIUS

### INDEX

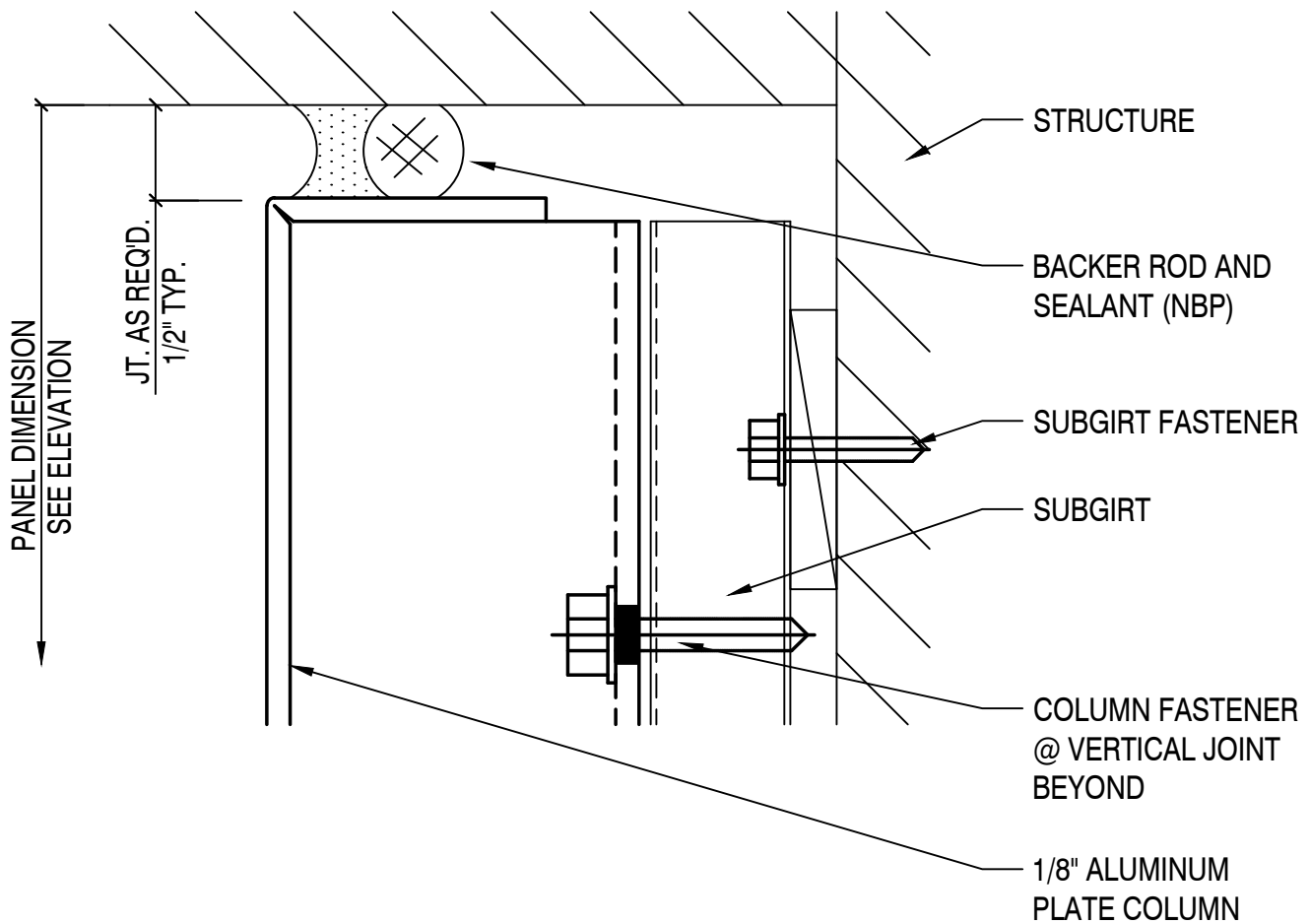
<u>SHEET #</u>	<u>DESCRIPTION</u>	<u>SHEET #</u>	<u>DESCRIPTION</u>
AP-COL-100 / 1	HEAD JOINT	AP-COL-100 / 10	HEAD JOINT
AP-COL-100 / 2	HORIZONTAL SPLICE	AP-COL-100 / 11	HORIZONTAL SPLICE
AP-COL-100 / 3	HORIZONTAL JOINT	AP-COL-100 / 12	HORIZONTAL JOINT
AP-COL-100 / 4	BASE JOINT	AP-COL-100 / 13	BASE JOINT
AP-COL-100 / 5	HORIZONTAL REVEAL JOINT	AP-COL-100 / 14	HORIZONTAL REVEAL JOINT
AP-COL-100 / 6	VERTICAL JOINT	AP-COL-100 / 15	VERTICAL JOINT
AP-COL-100 / 7	HEAD REVEAL JOINT	AP-COL-100 / 16	HEAD REVEAL JOINT
AP-COL-100 / 7a	ALT. HEAD REVEAL JOINT	AP-COL-100 / 16a	ALT. HEAD REVEAL JOINT
AP-COL-100 / 8	BASE REVEAL JOINT	AP-COL-100 / 17	BASE REVEAL JOINT
AP-COL-100 / 8a	ALT. BASE REVEAL JOINT	AP-COL-100 / 17a	ALT. BASE REVEAL JOINT

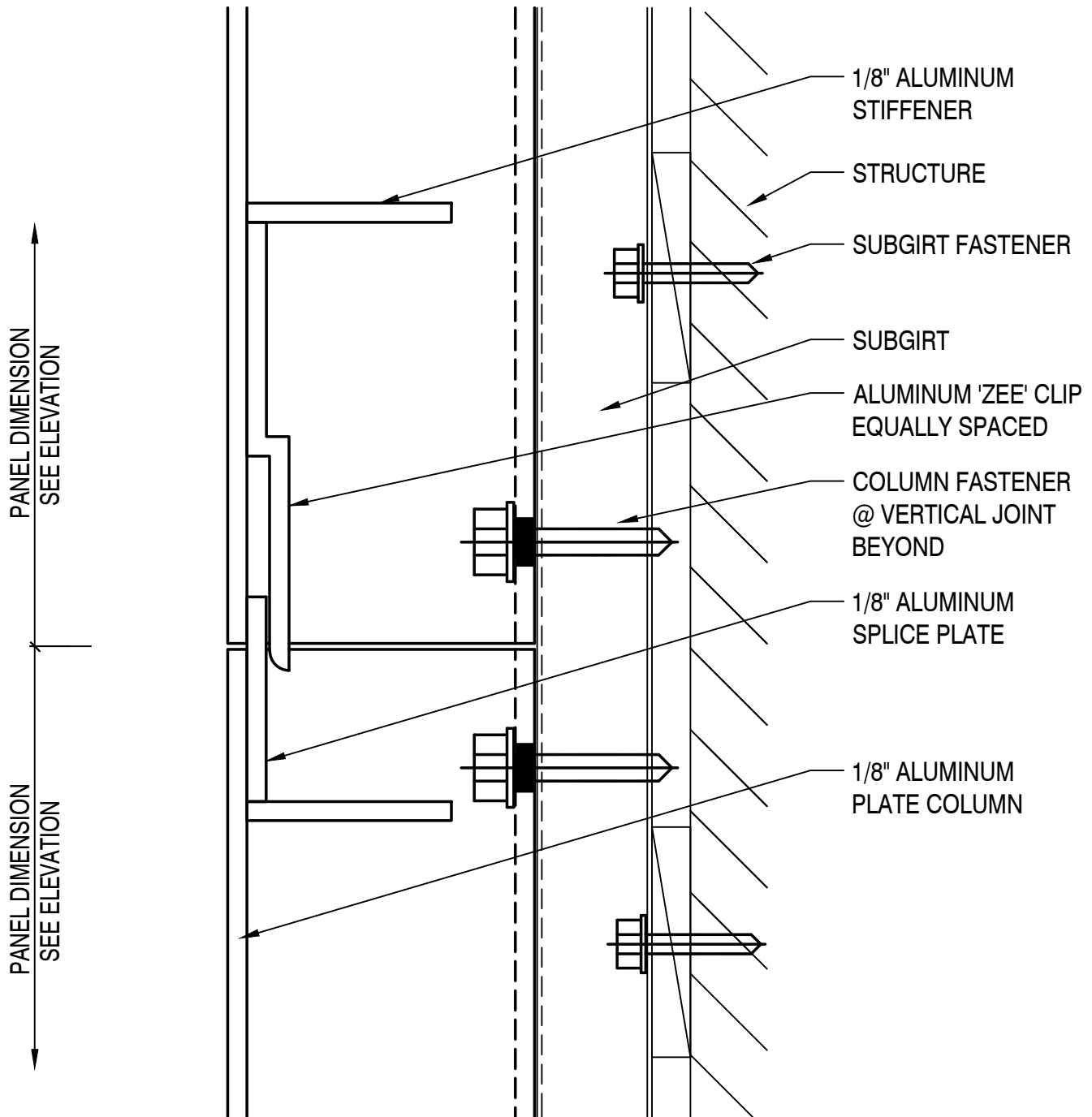


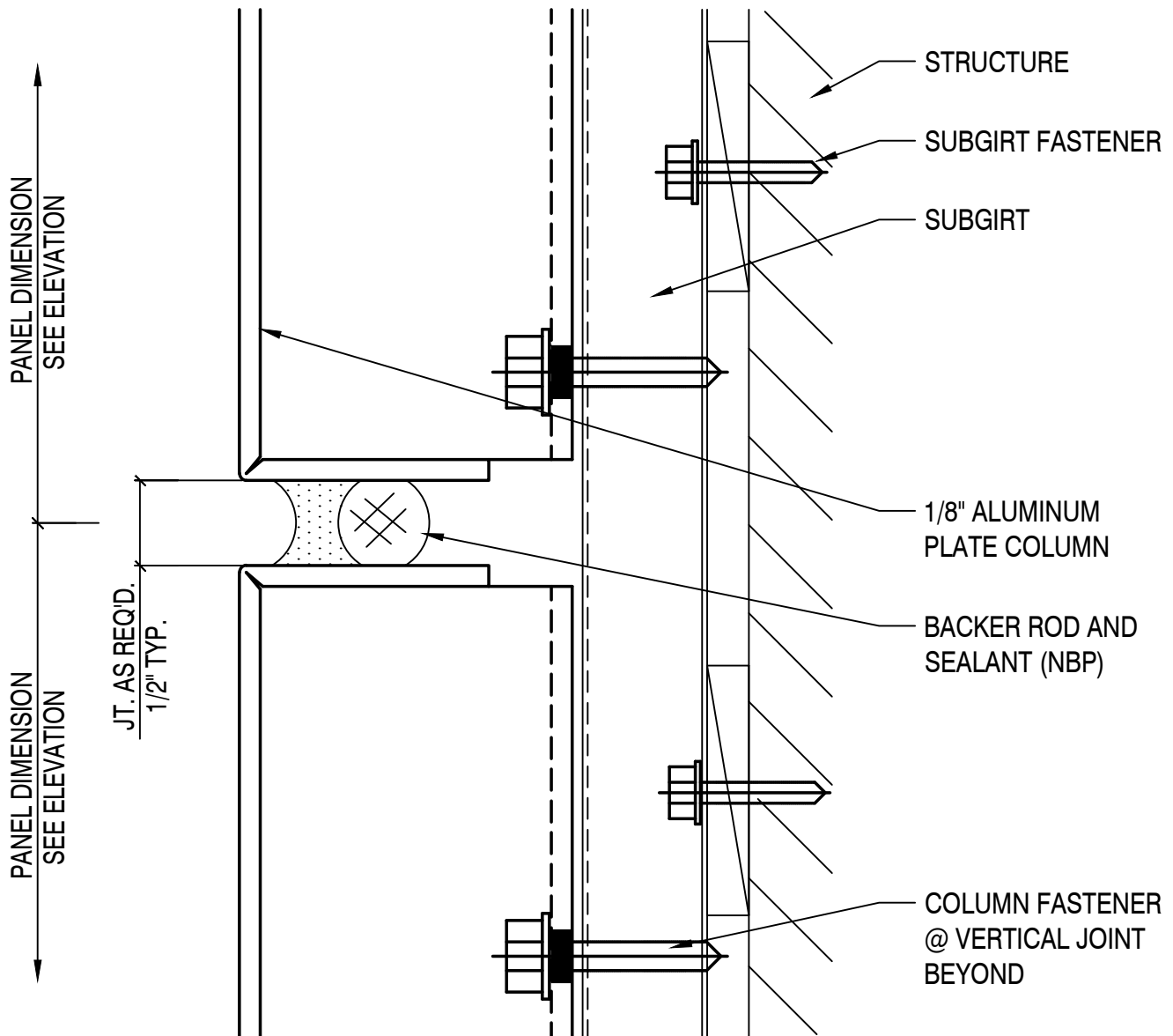
SECTION A

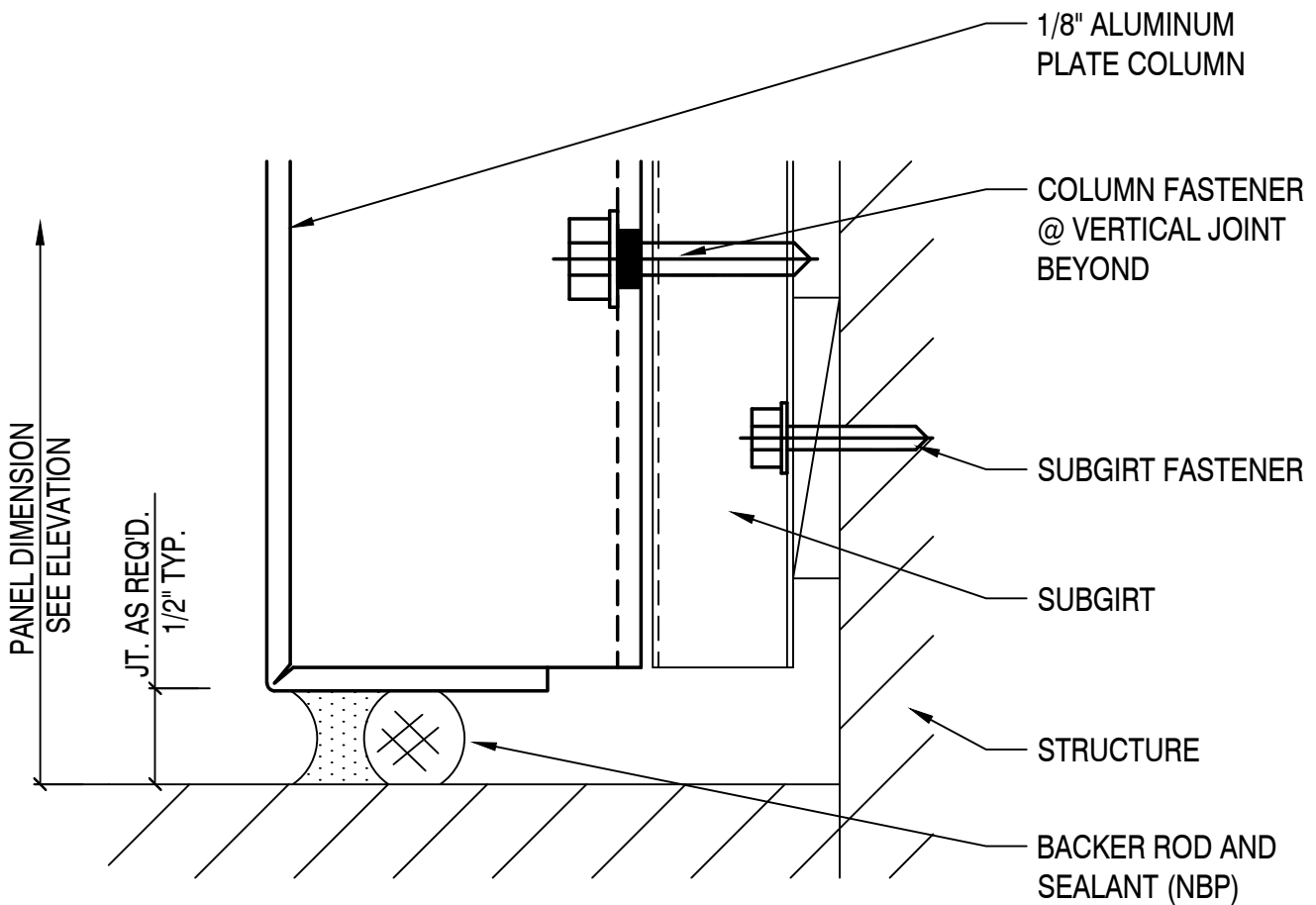


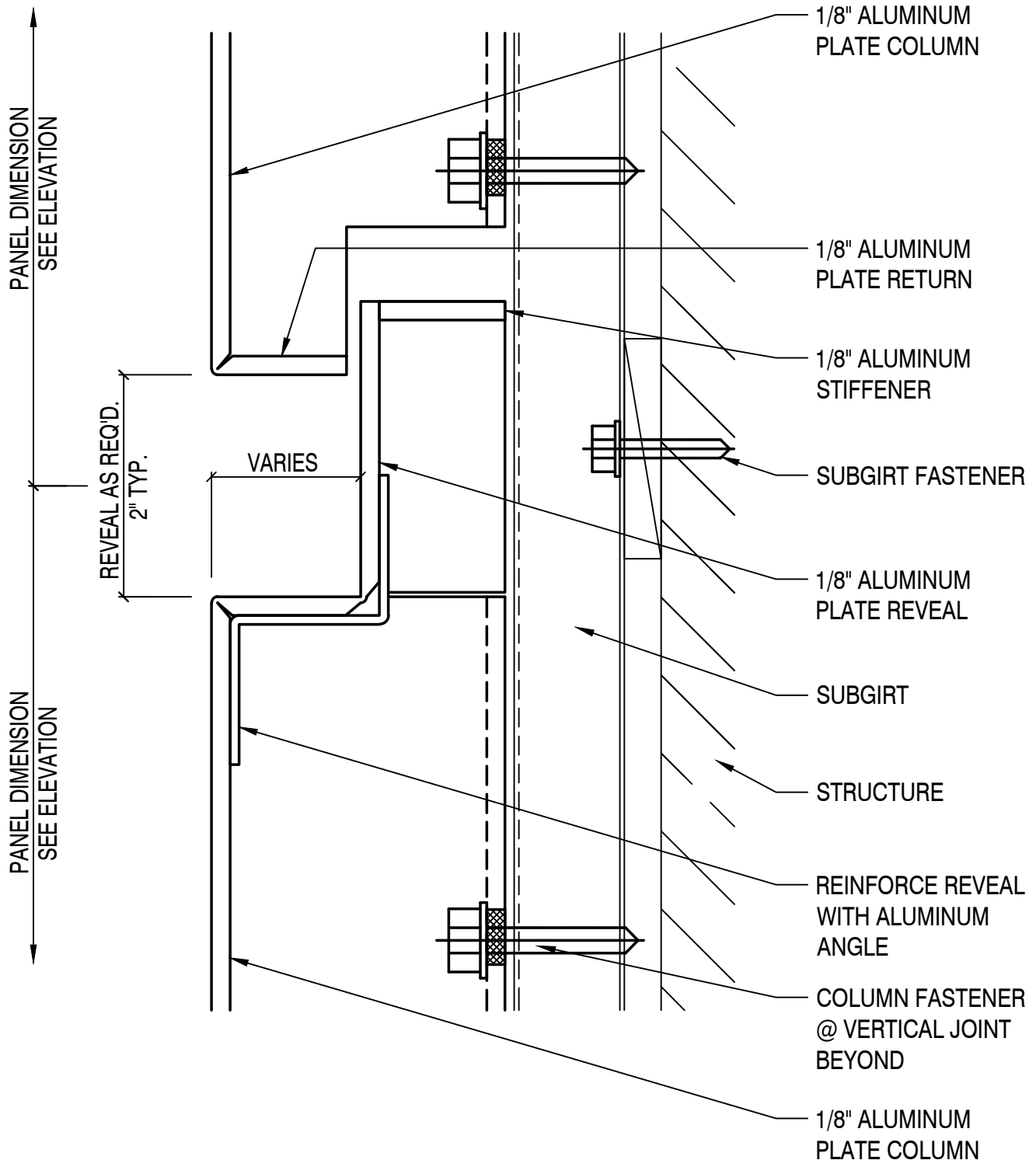
SECTION B



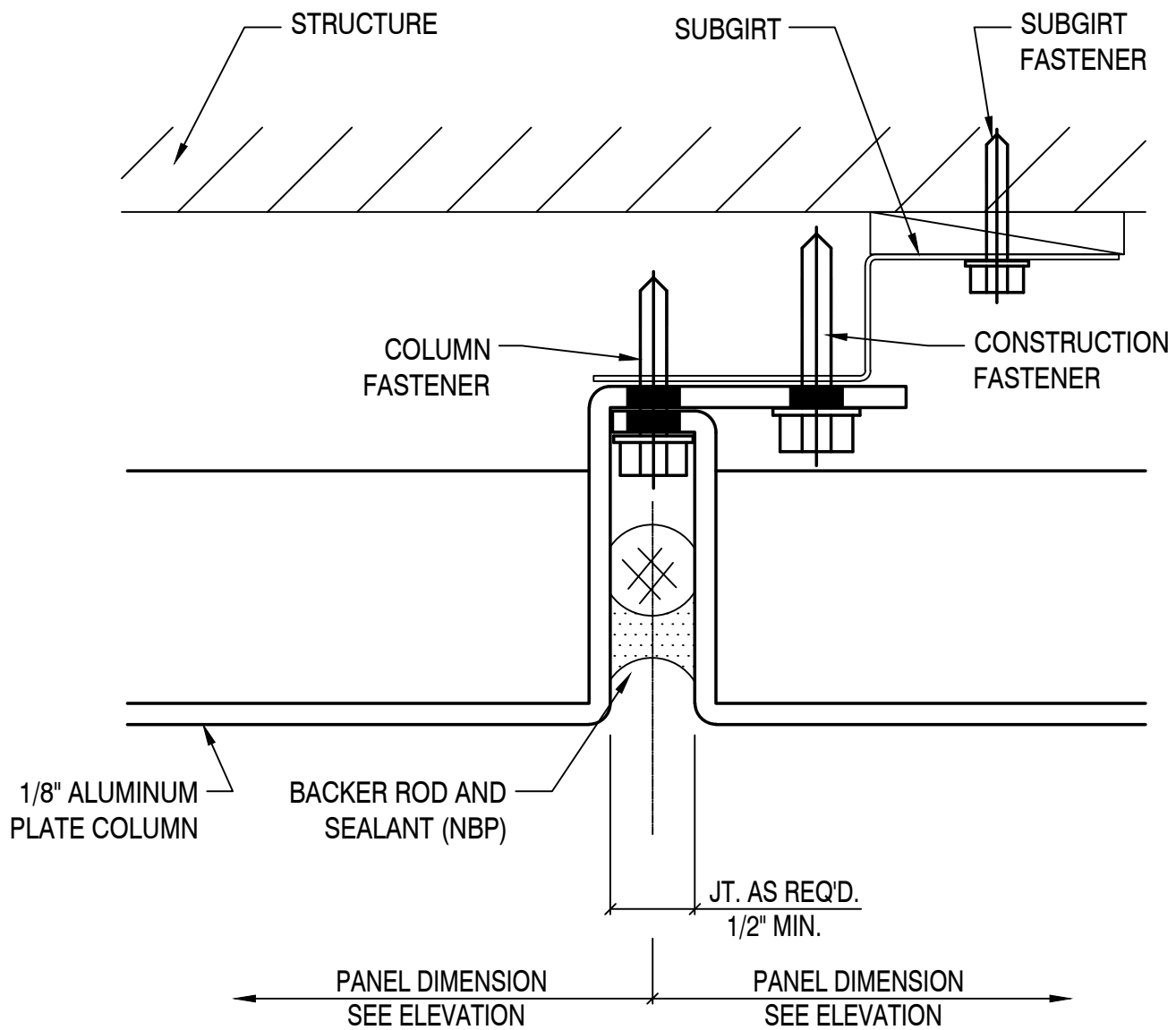


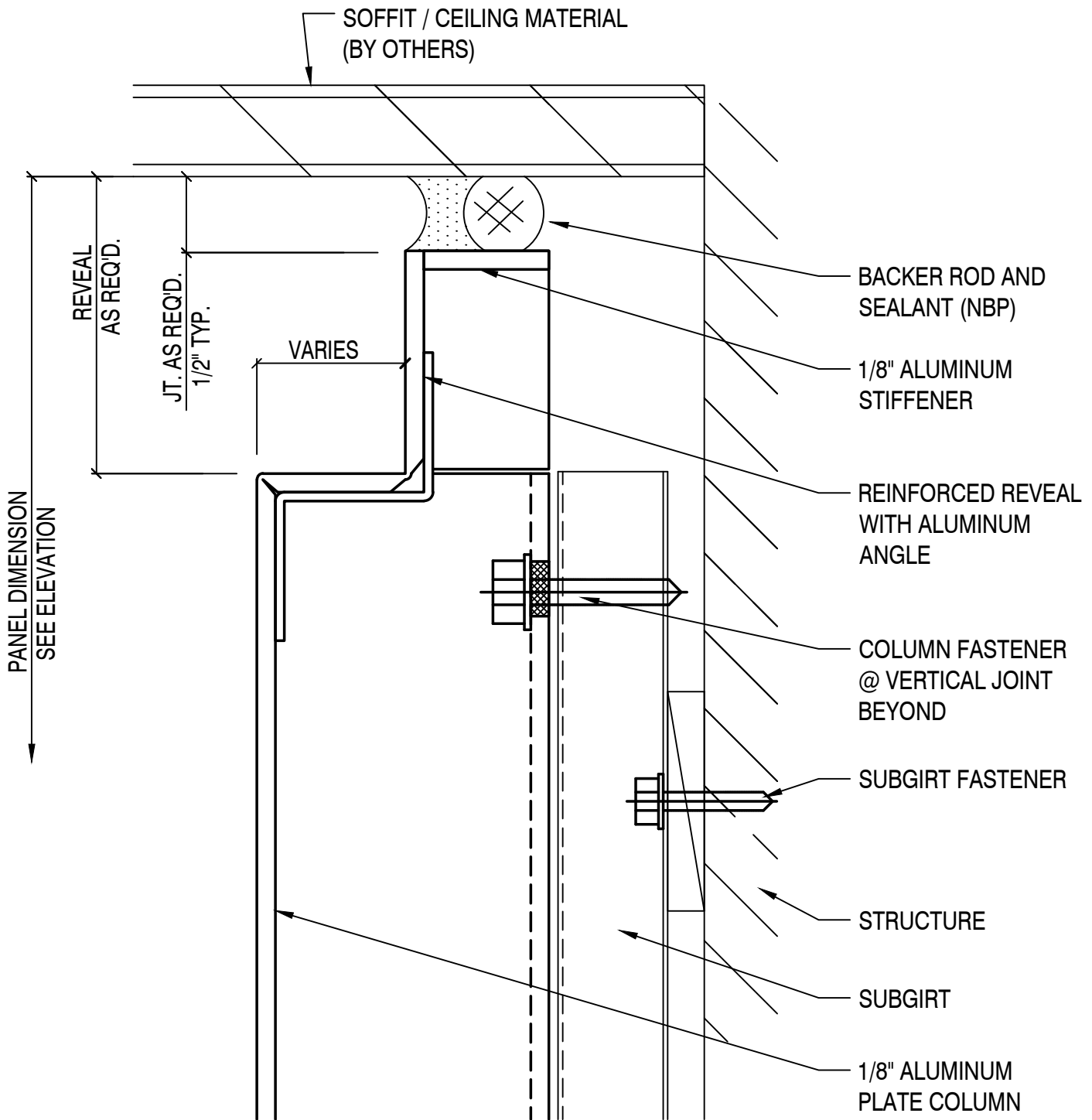


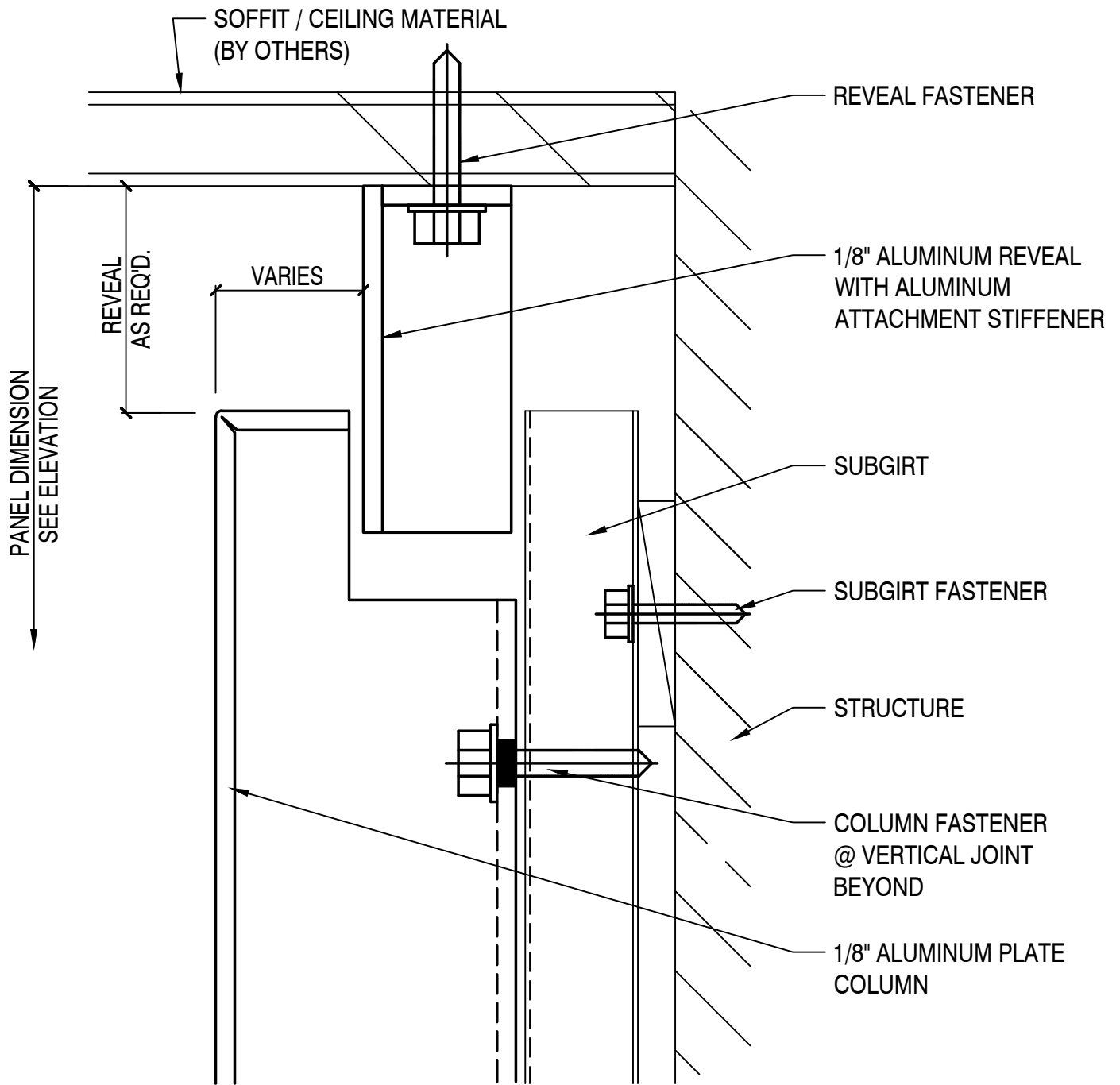


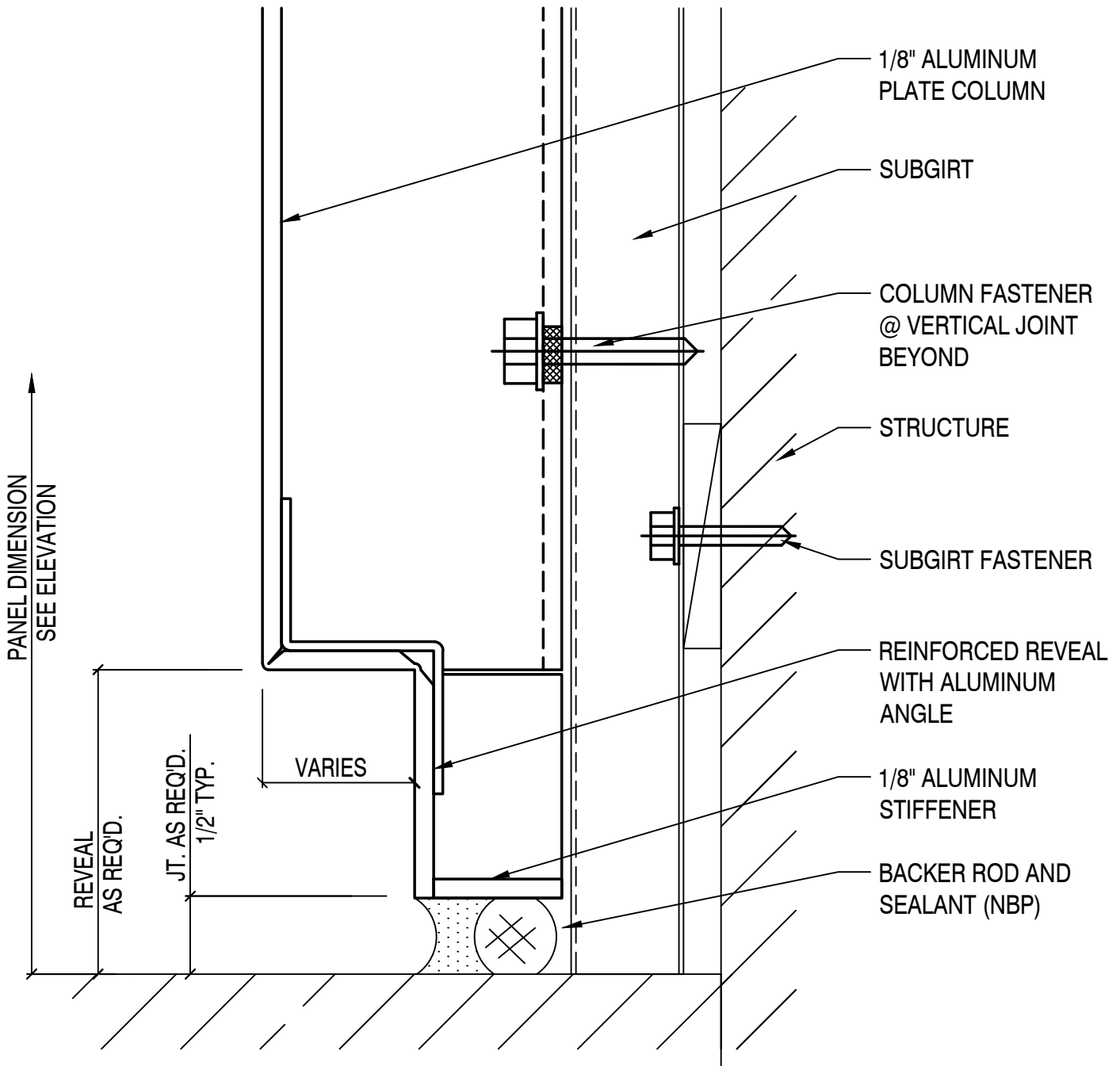


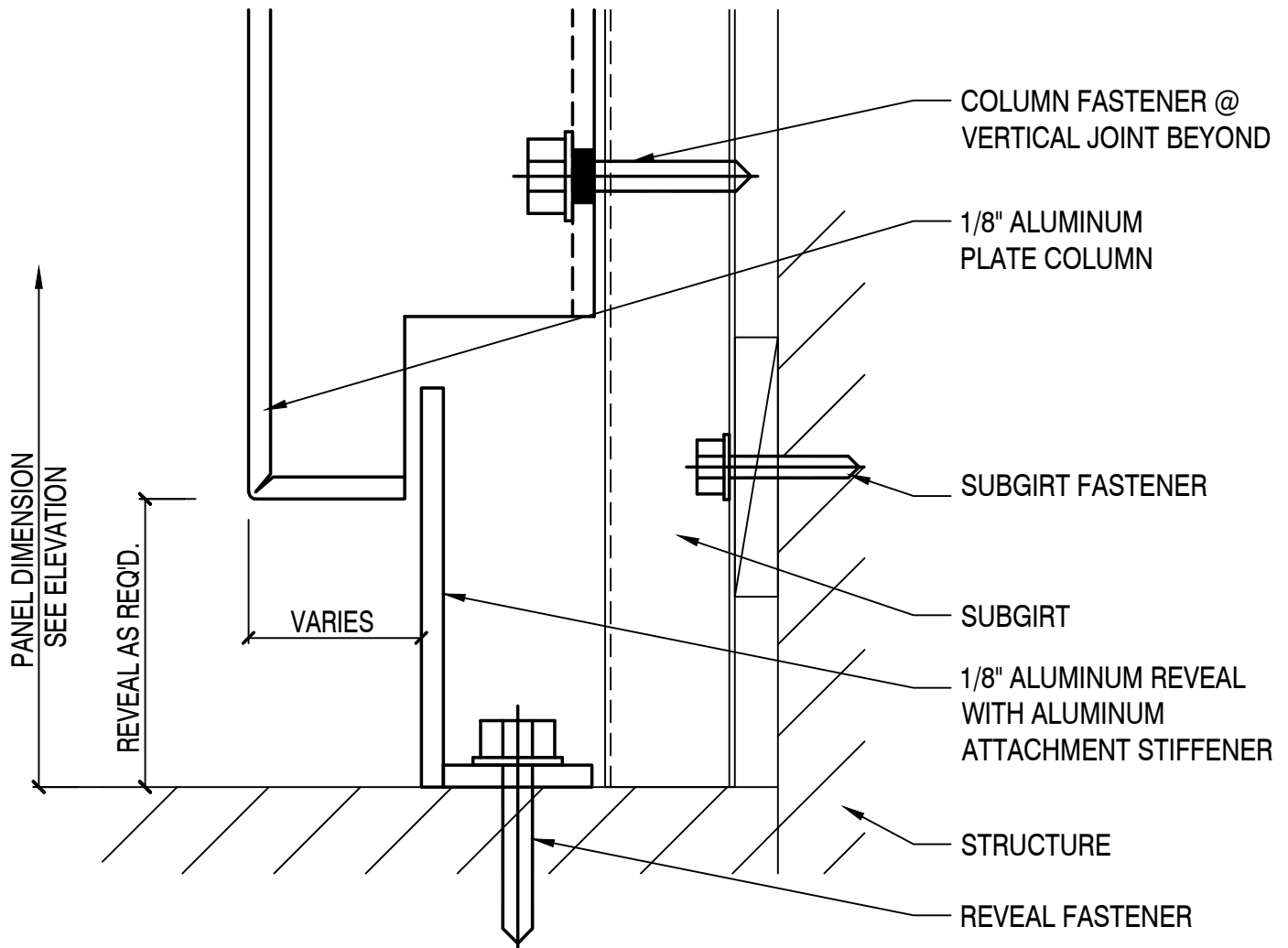












***Prōtean***

AP-COL-100 Column Covers  
Standard Details

Construction Products, Inc.

?

NOT USED

