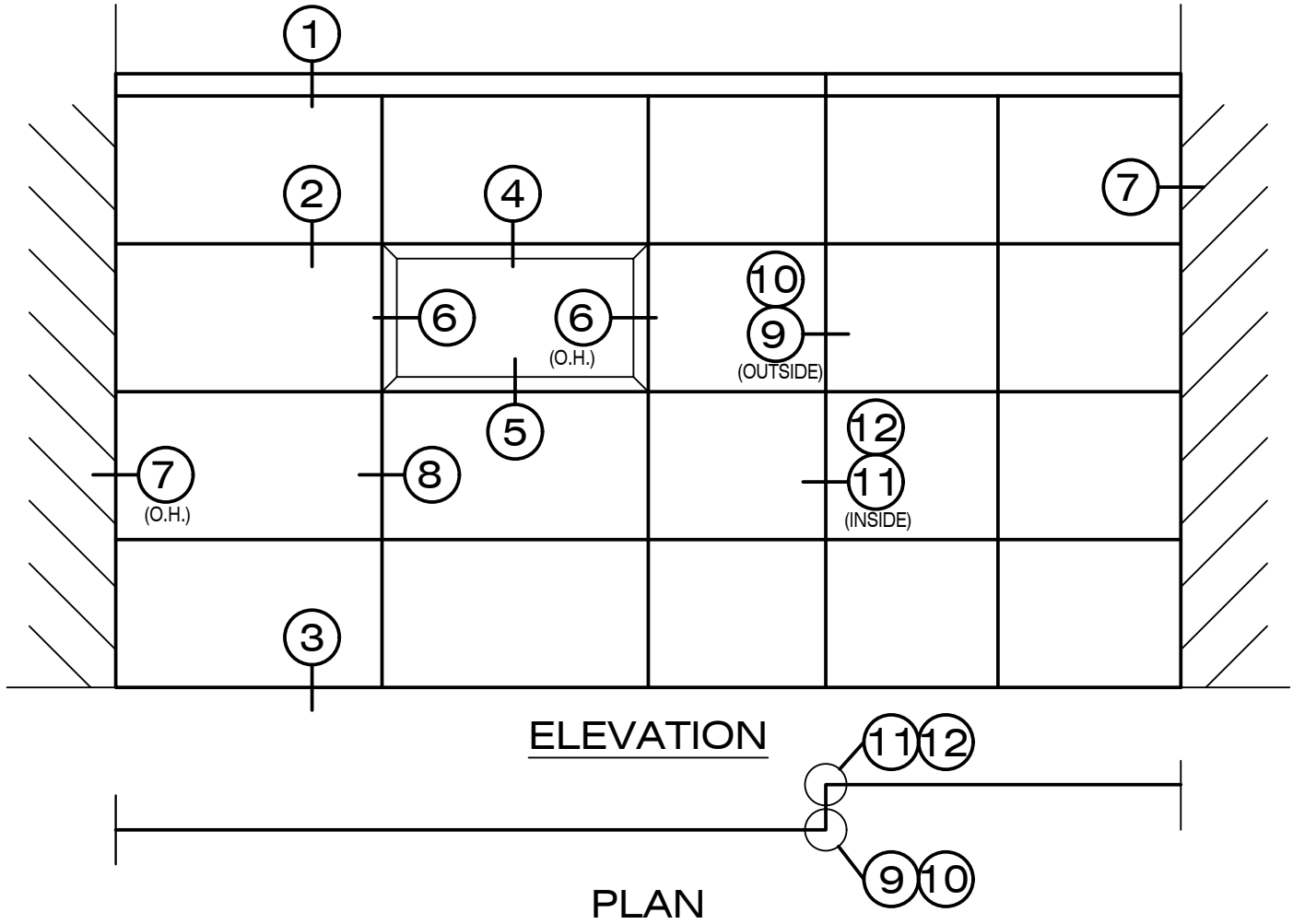
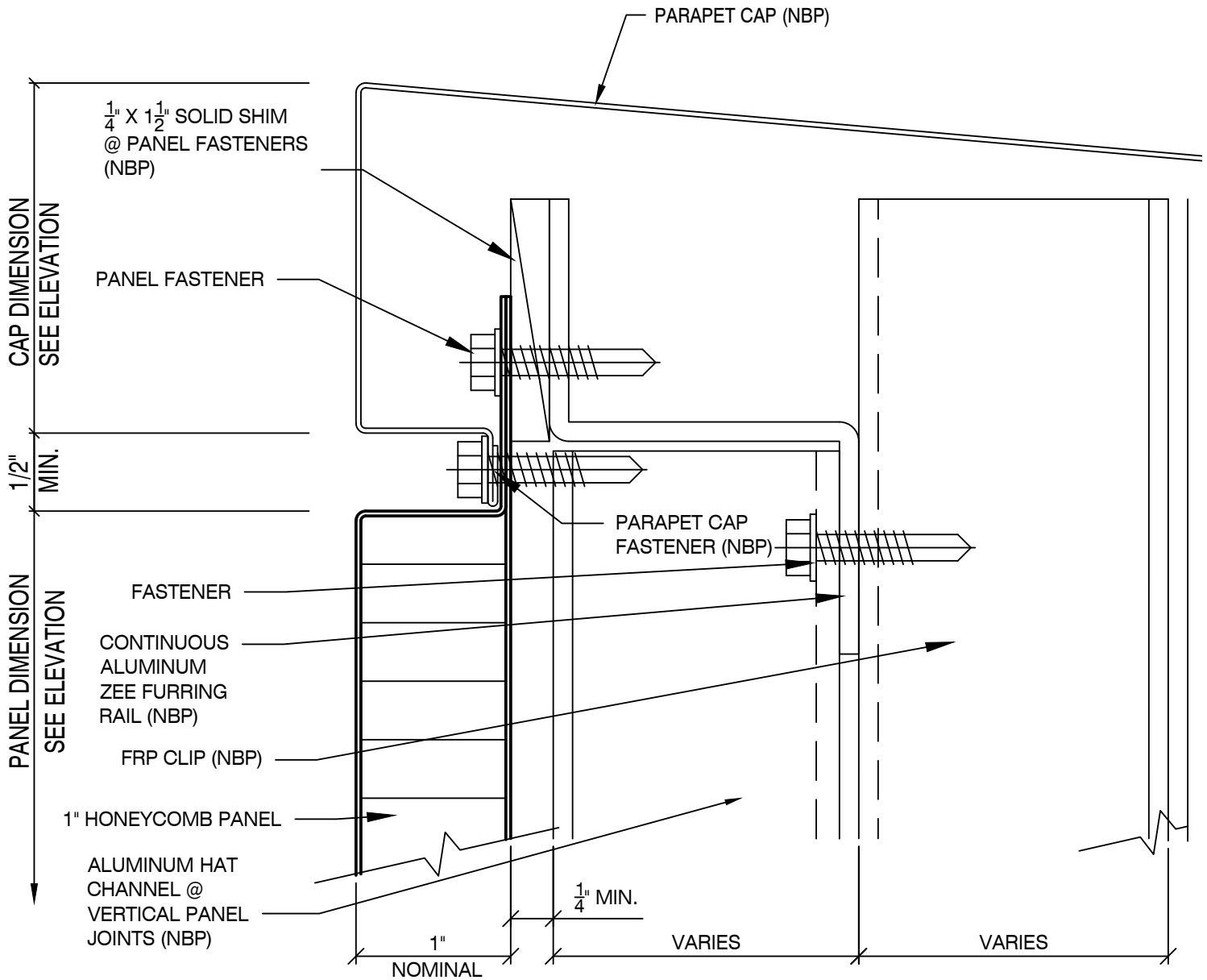


1. Most details included herein are drawn to full scale.
2. Details shown herein, illustrate 1" honeycomb panels. Other thickness and cores are available. Refer to other sections of this literature for additional options or consult Protean for any special requirements.
3. In general, panel attachment should be made along the long edge of the panels.
4. Details as shown herein illustrate a horizontal installation with subgirts and panel attachment located at the horizontal joints. For a vertical panel installation, modify details to install subgirts and panels vertically.
5. Alternate subgirt layouts are available where subgirts can be oriented in the opposite direction of the long edge of the panels. Contact Protean for further information on these types of installations.
6. The enclosed details represent typical standard details for the HC-2000RS system. In so much as the HC-2000RS is a custom designed system, this is only the beginning of the possibilities. Consult Protean for assistance in developing custom details for your application.



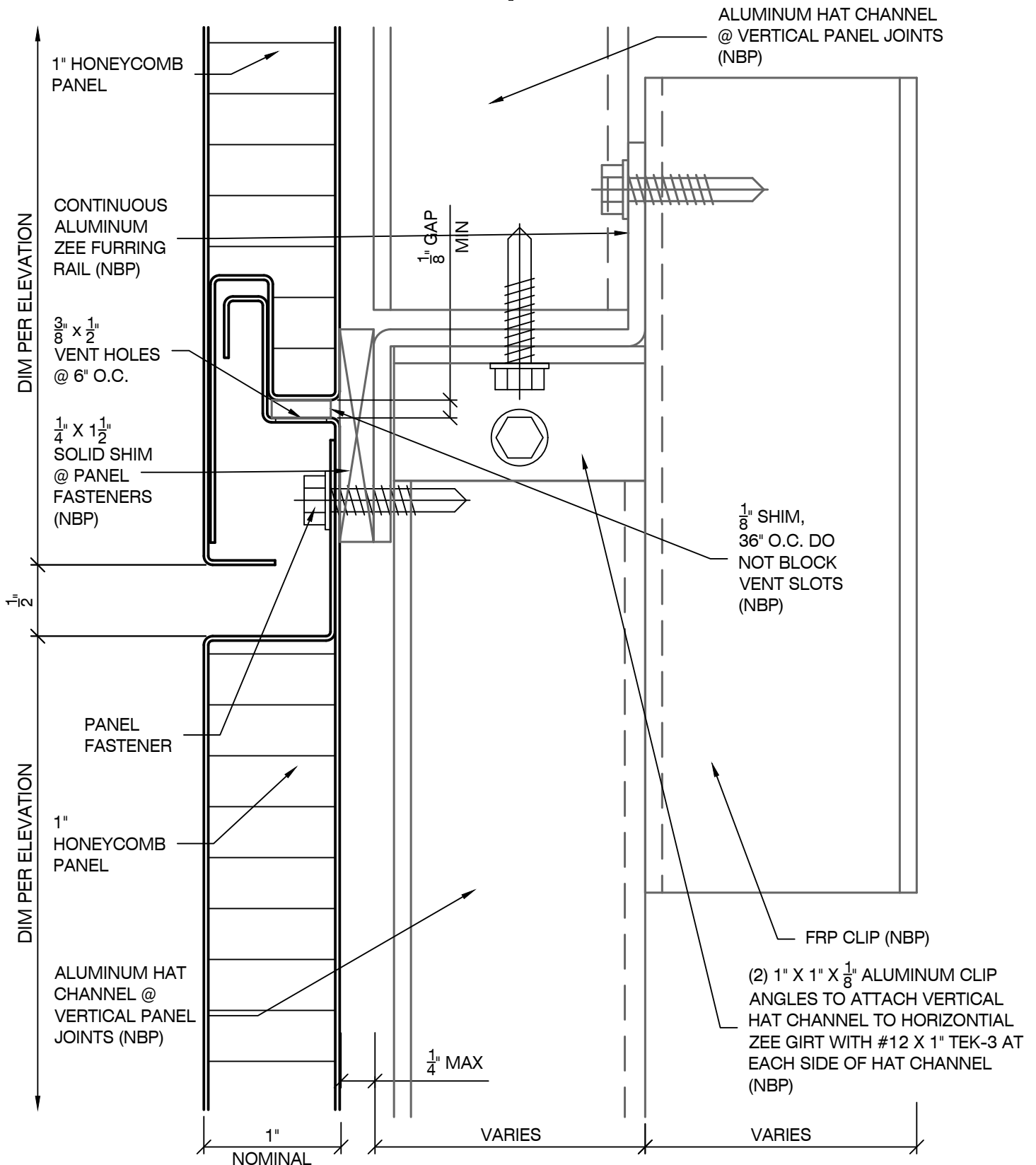
## INDEX

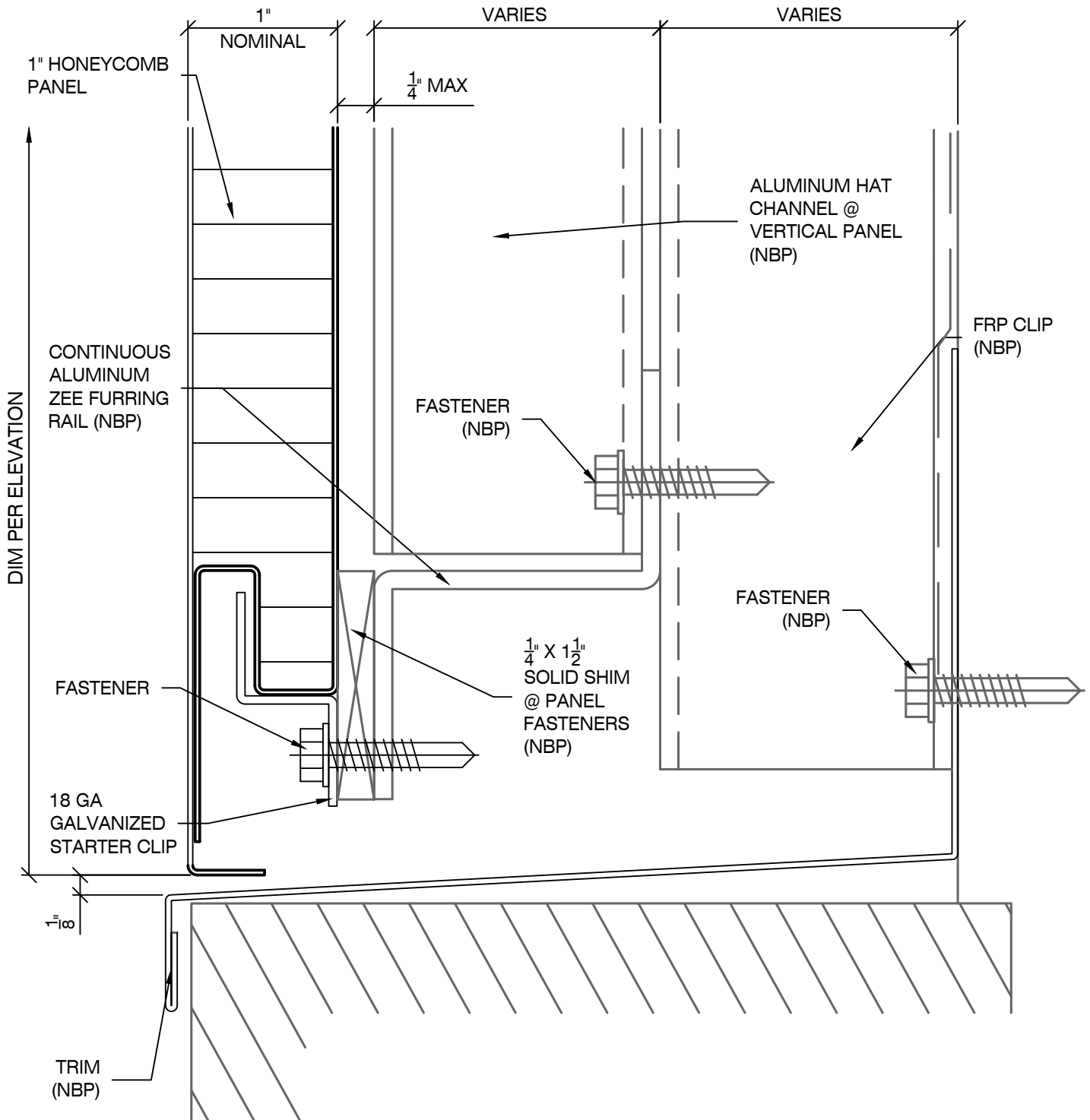
<u>SHEET #</u>	<u>DESCRIPTION</u>	<u>SHEET #</u>	<u>DESCRIPTION</u>
HC-2000RS / 1	PARAPET CAP	HC-2000RS / 10	OUTSIDE CORNER (BENT)
HC-2000RS / 2	HORIZONTAL JOINT	HC-2000RS / 11	INSIDE CORNER
HC-2000RS / 3	BASE DETAIL	HC-2000RS / 12	INSIDE CORNER
HC-2000RS / 4	WINDOW HEAD		
HC-2000RS / 5	WINDOW SILL		
HC-2000RS / 6	WINDOW JAMB		
HC-2000RS / 7	JAMB DETAIL		
HC-2000RS / 8	VERTICAL JOINT		
HC-2000RS / 9	OUTSIDE CORNER (JT.)		

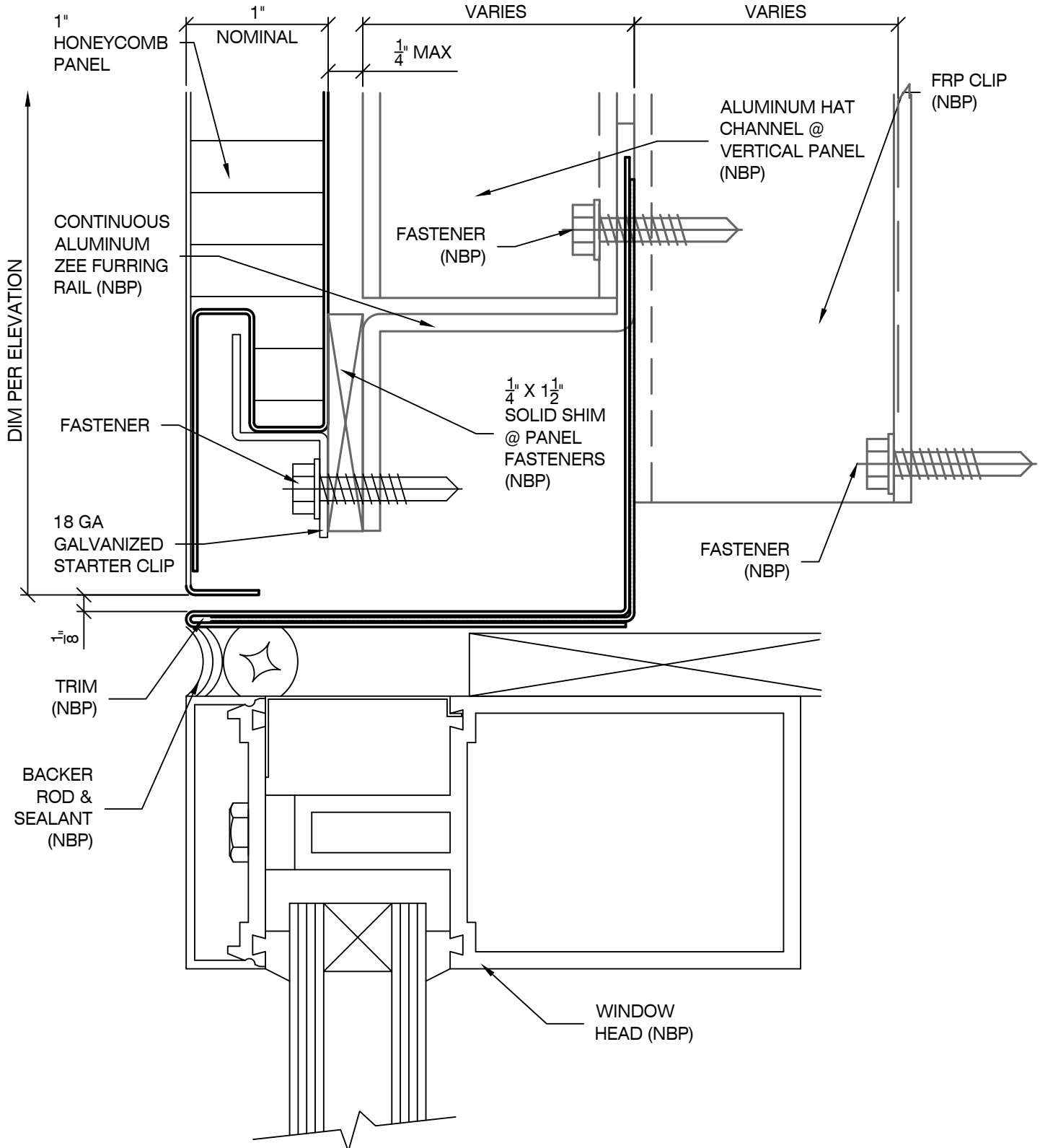


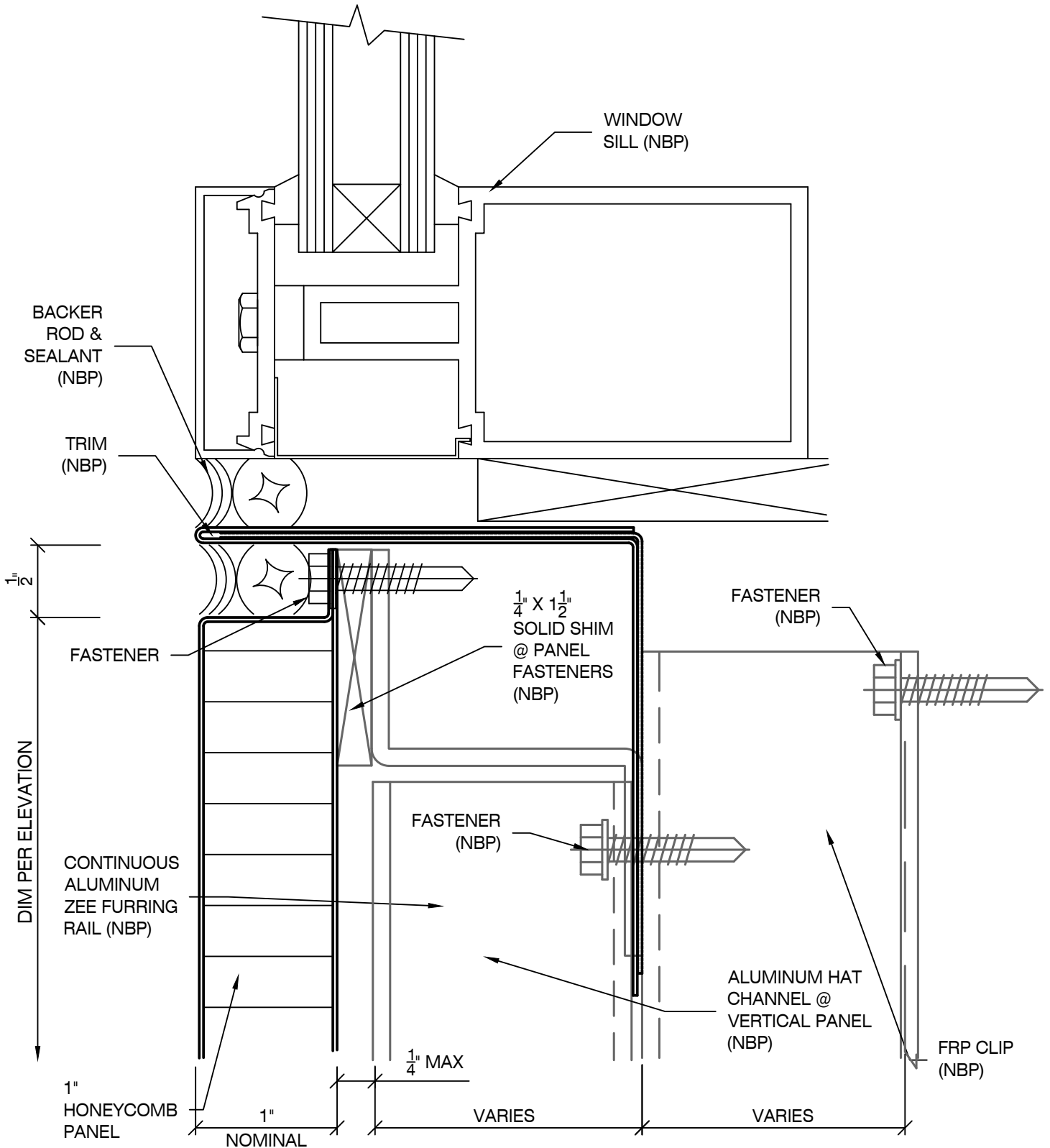
Construction Products, Inc.

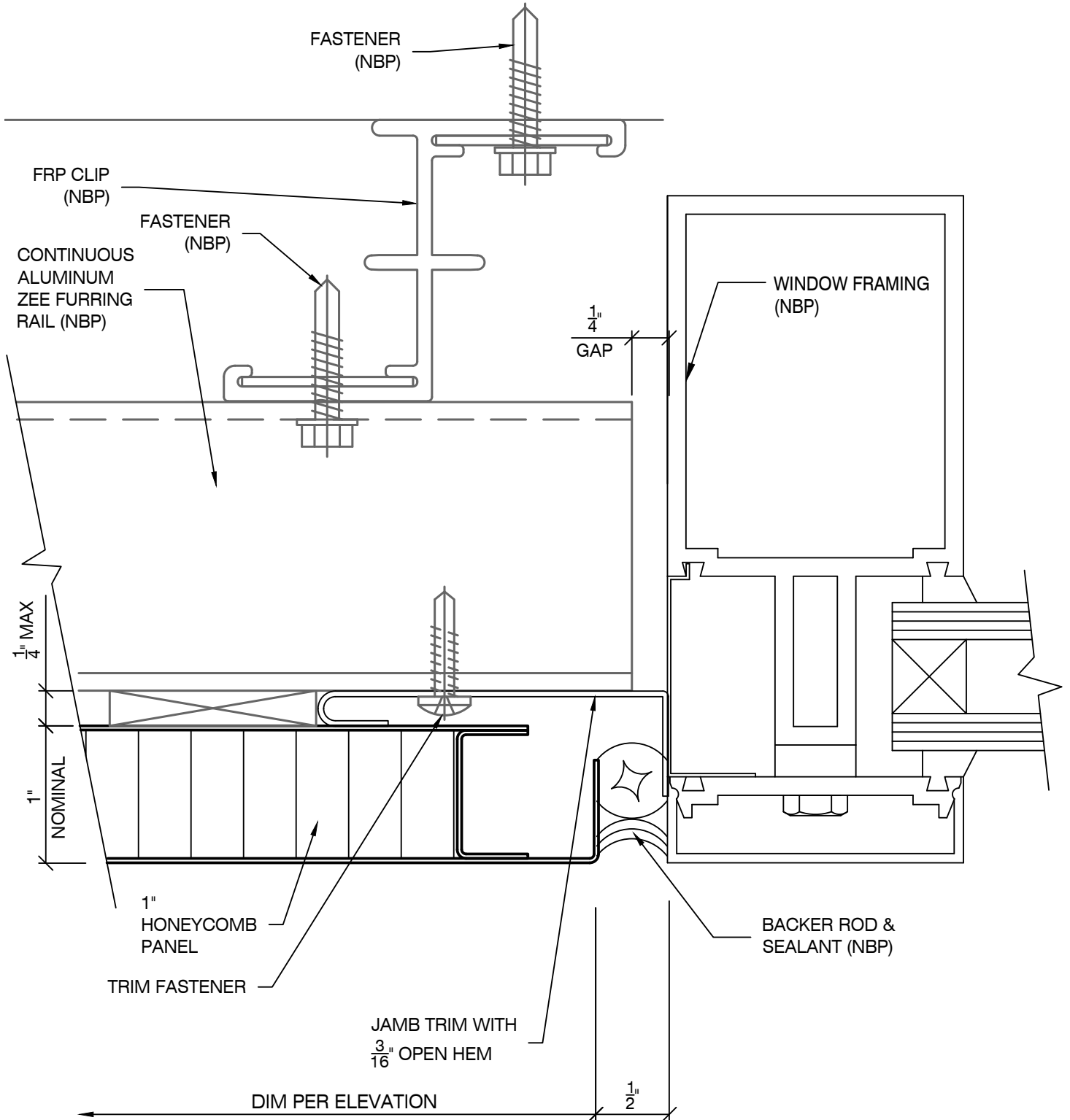
### Typical Horizontal Joint

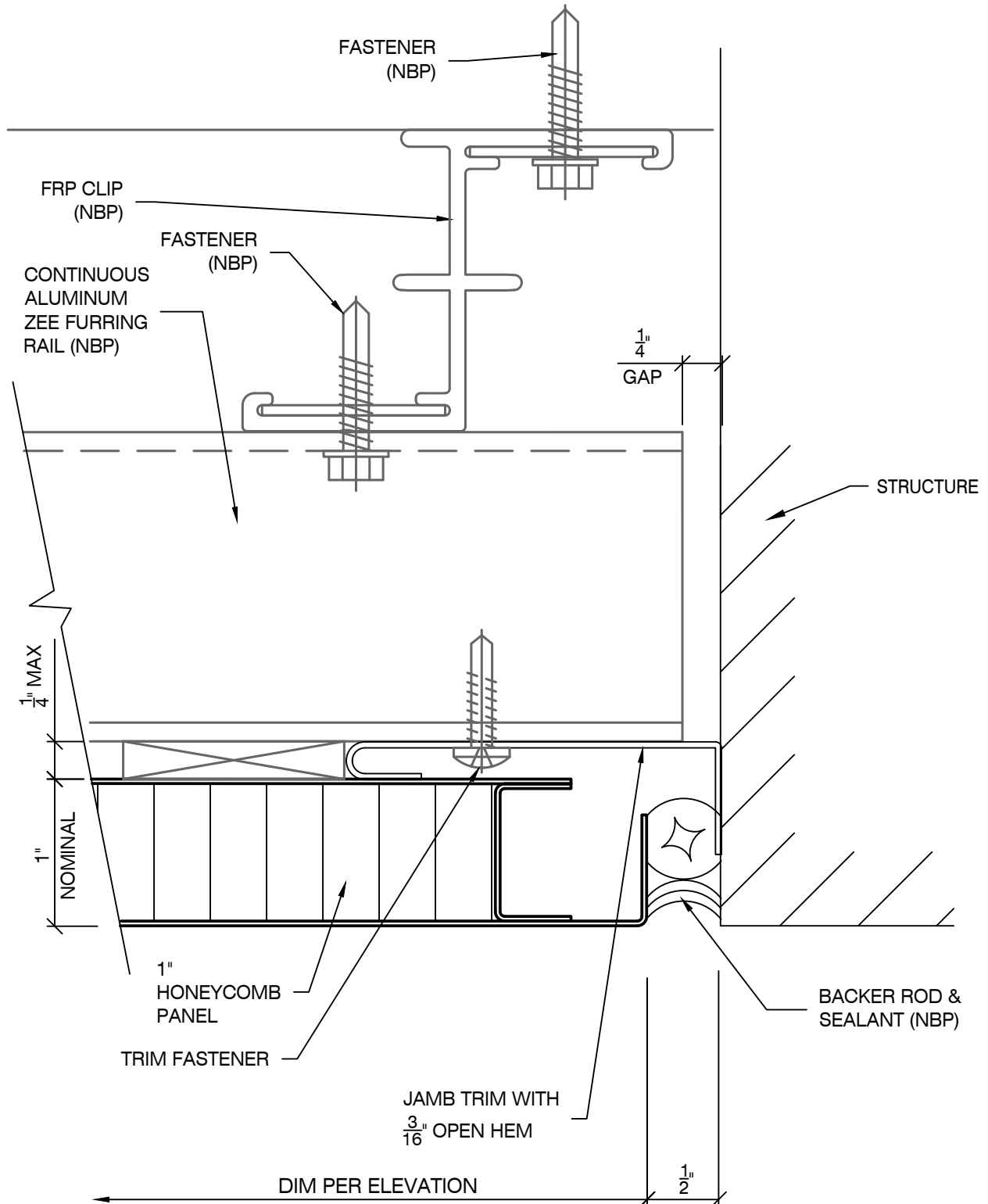


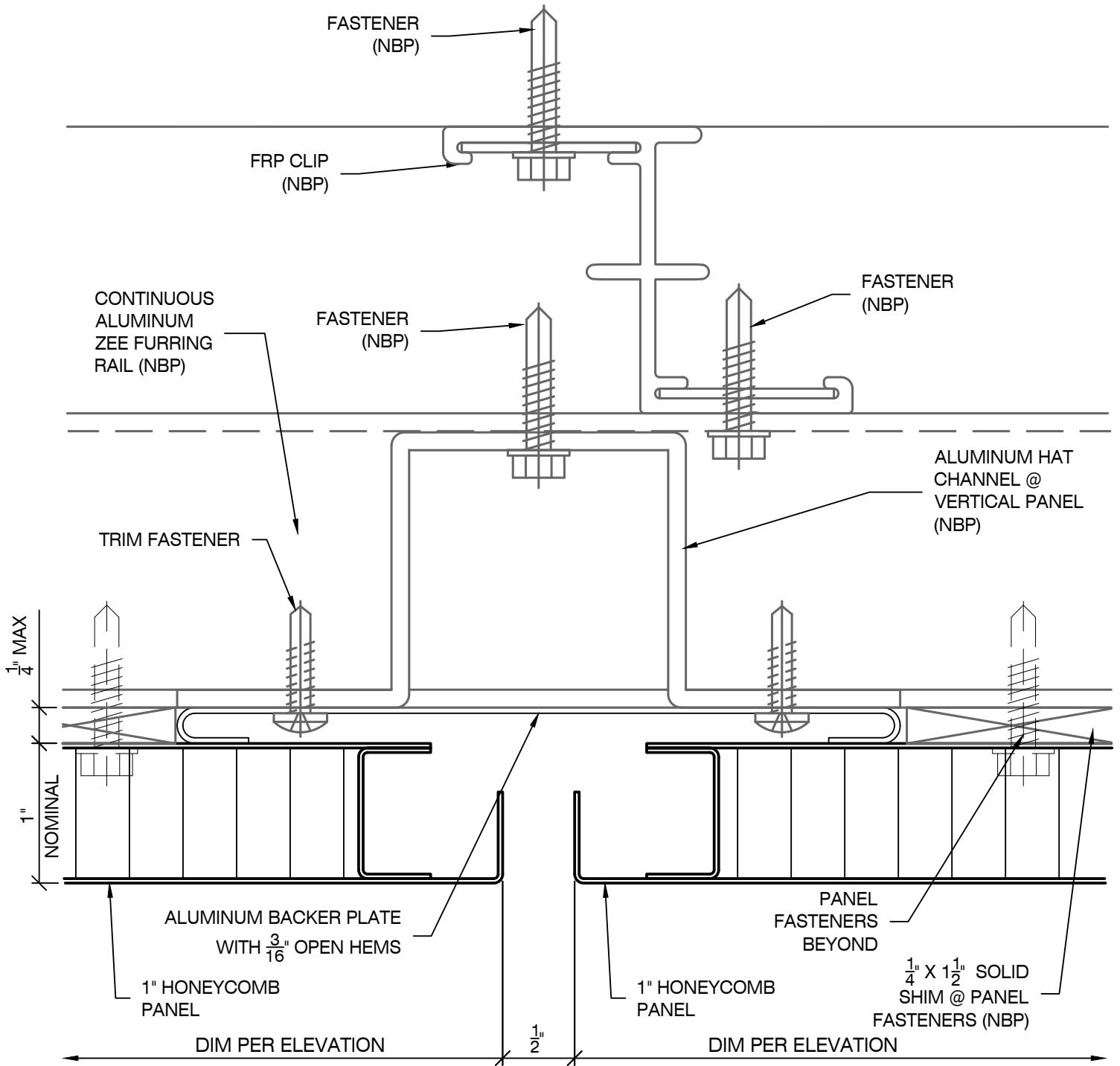






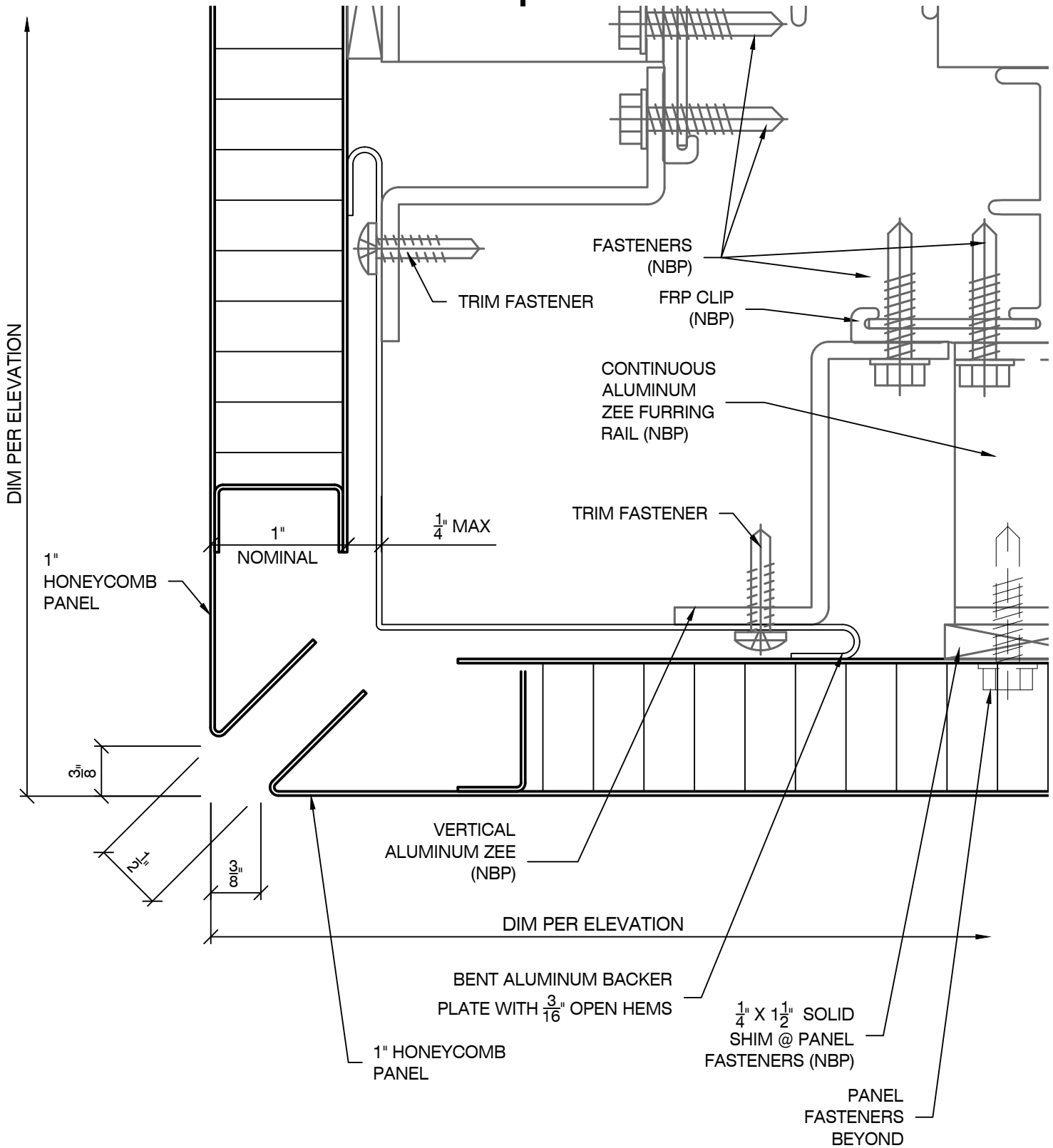






Construction Products, Inc.

### Outside Corner Detail with Joint



Construction Products, Inc.

### Bent Outside Corner Detail

