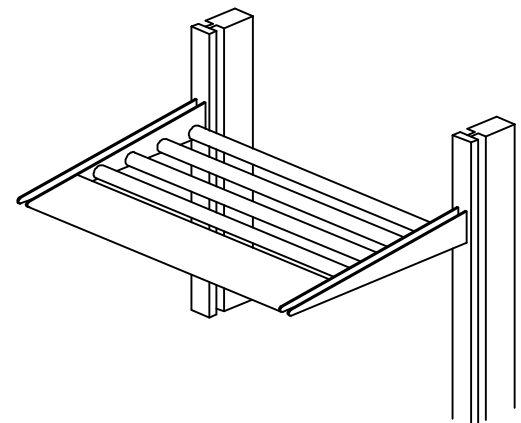
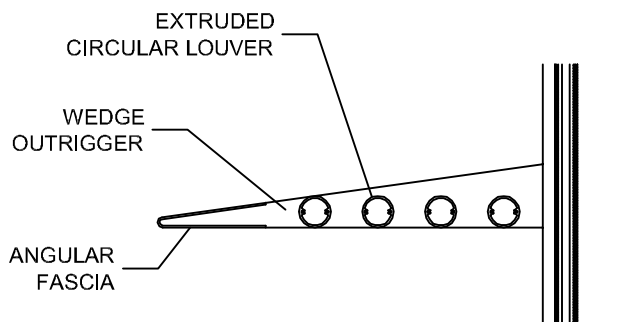
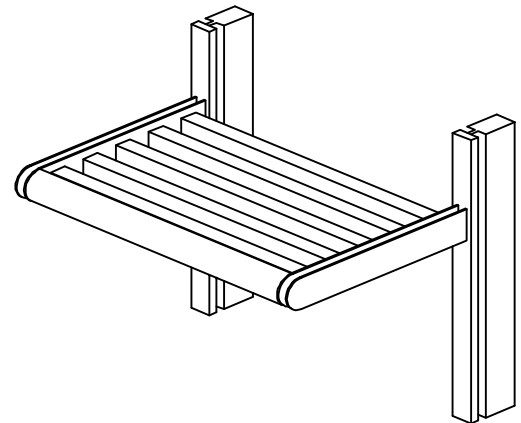
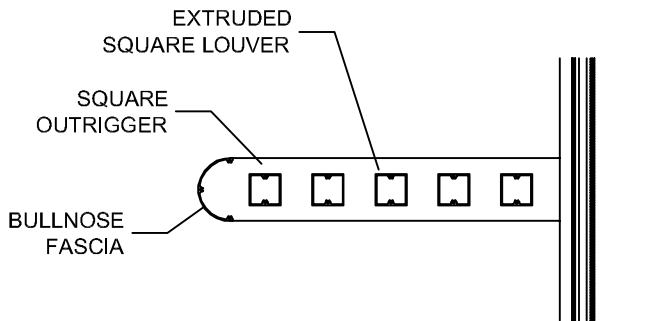
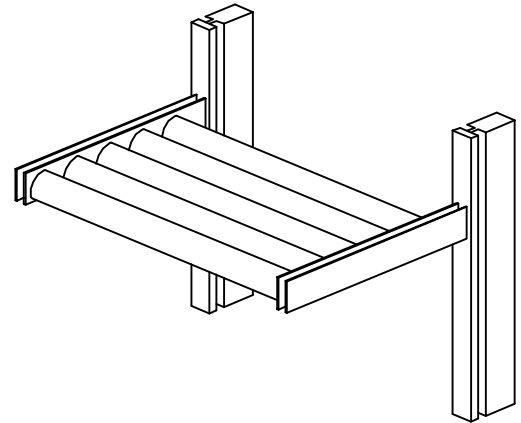
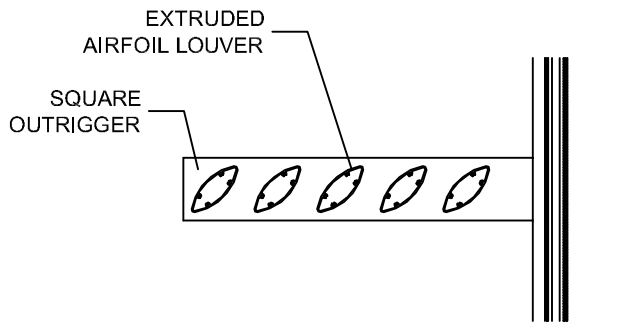
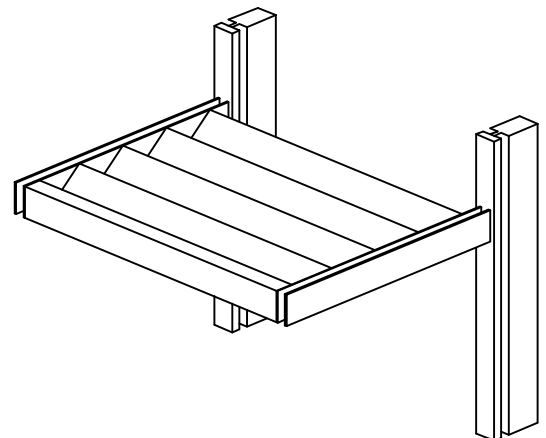
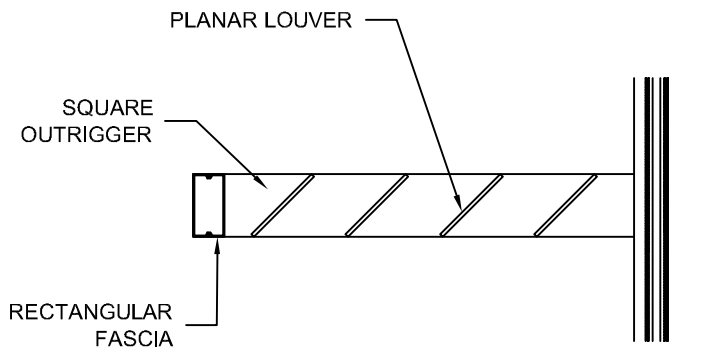
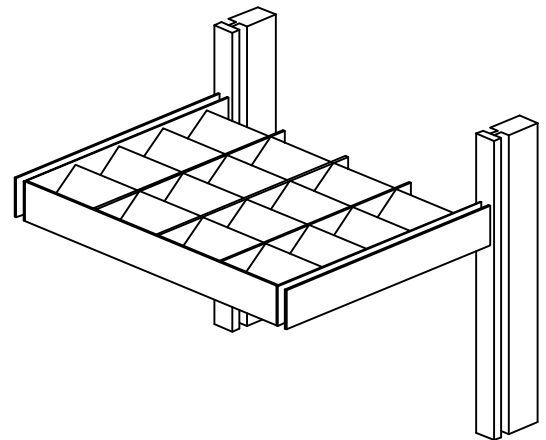
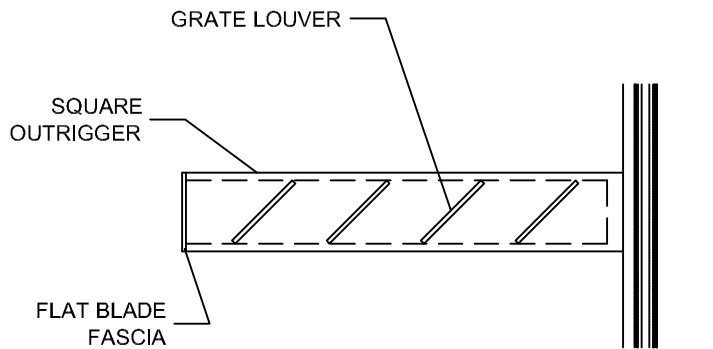
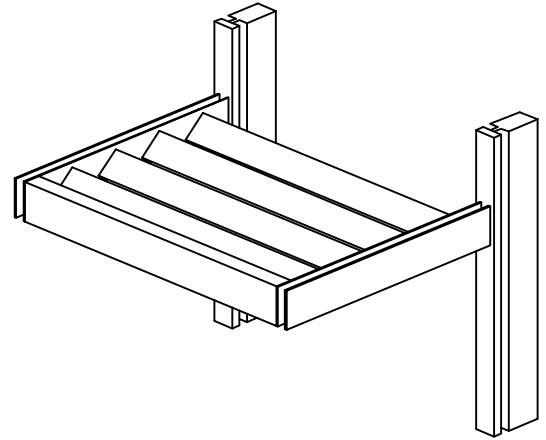
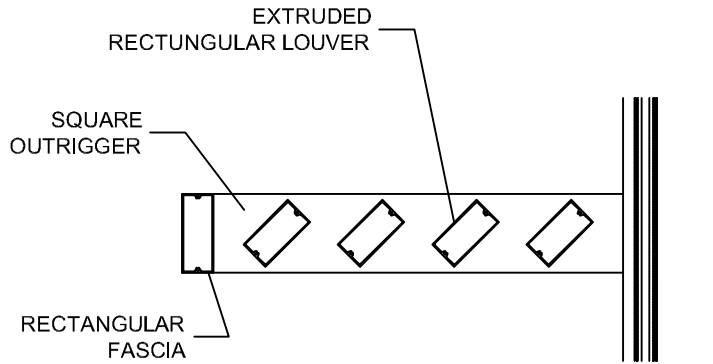


- 1. The enclosed details represent typical standard details for the SS-310 sunscreen system. In so much as the SS-310 is a designed system, this is only the beginning of the possibilities. Consult Protean for assistance in developing custom details for your application.**
- 2. All exposed components are finished to match extruded sunscreen blades, unless otherwise noted.**
- 3. The attached details typically illustrate extruded sunscreen blade assemblies. Other thickness are variable. Refer to other sections of this literature for additional options or consult Protean for any special requirements.**
- 4. Blade assemblies can be mounted horizontally or vertically.**
- 5. Blade assemblies can be attached directly to the building structure through the use of blade retainers. Consult Protean for assistance in developing custom details for your application.**
- 6. Alternate retainer details are available, consult Protean Constuction Products for details and information.**

<u>SHEET #</u>	<u>DESCRIPTION</u>
SS-310 / 1	ISOMETRIC & SECTIONS
SS-310 / 2	ISOMETRIC & SECTIONS
SS-310 / 3	COMPONENTS
SS-310 / 4	ATTACHMENT AT STRUCTURE
SS-310 / 5	AIRFOIL LOUVER
SS-310 / 6	SQUARE LOUVER
SS-310 / 7	CIRCULAR LOUVER
SS-310 / 8	RECTANGULAR LOUVER
SS-310 / 9	GRATE LOUVER
SS-310 / 10	PLANER LOUVER

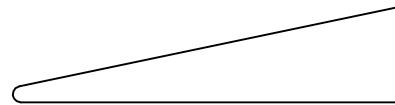




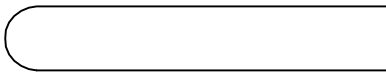
OUTRIGGER PROFILES



SQUARE



WEDGE



ROUNDED

FASCIA PROFILES



BULLNOSE



RECTANGULAR



ANGULAR



CIRCULAR

LOUVER PROFILES



CIRCULAR



RECTANGULAR



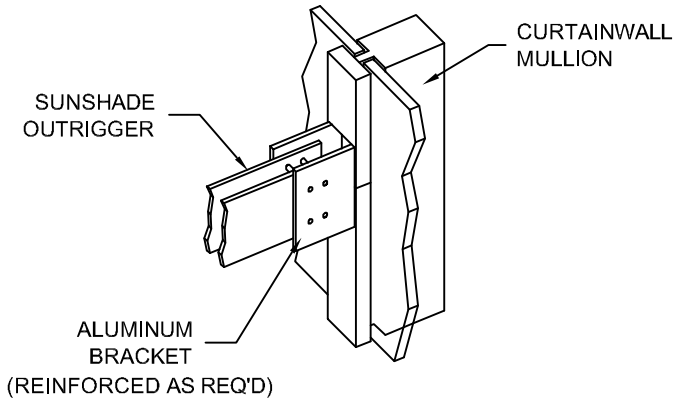
SQUARE



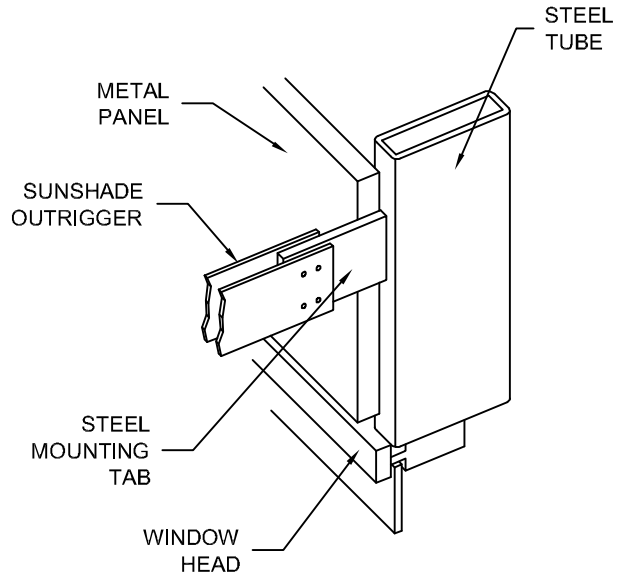
AIRFOIL



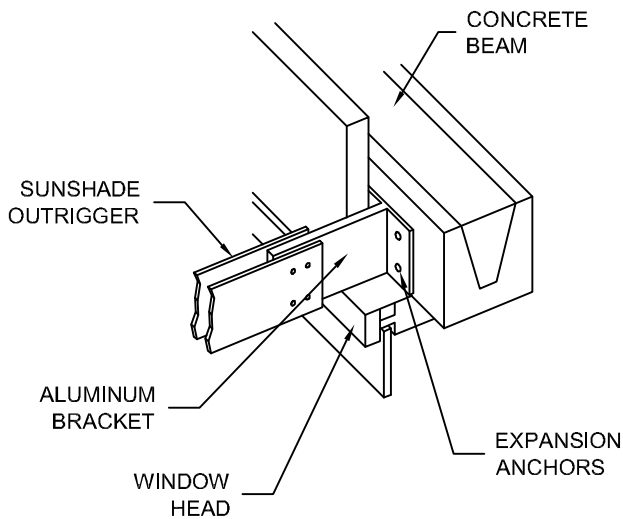
PLANAR



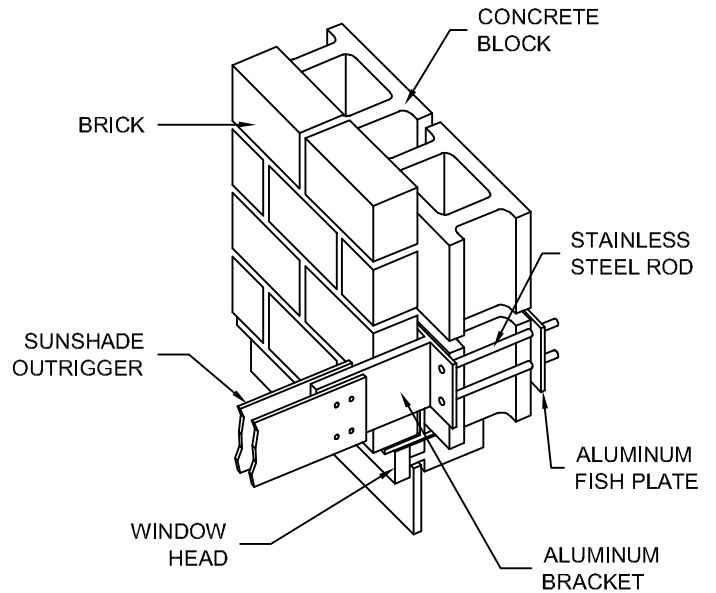
Formed Bracket to
Curtain Wall



Steel Tab Welded to
Steel Tube behind Panel



Bracket Mounted to
Concrete Lintel



Bracket on Block
Behind Brick

